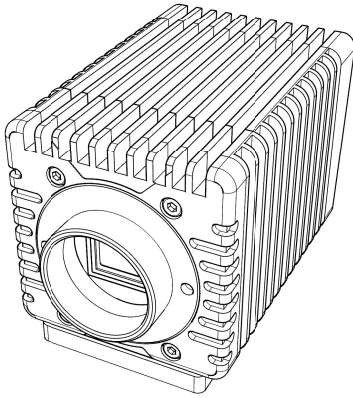
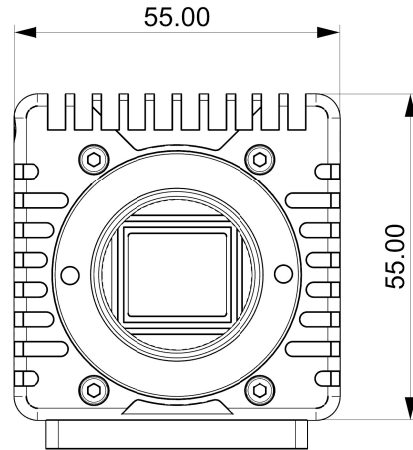


MSC-SW16-1-A: Aluminium. Anodized Finish  
(all dimensions in mm with tolerance of +/- 0.05mm)

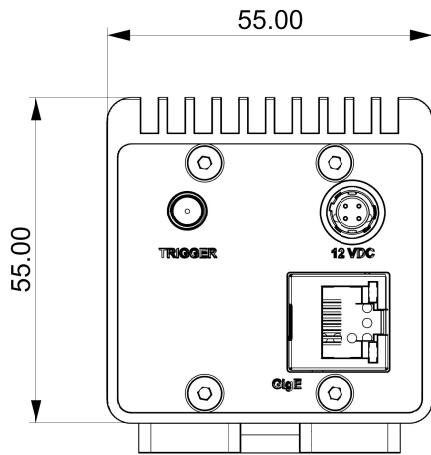
RENDERED VIEW



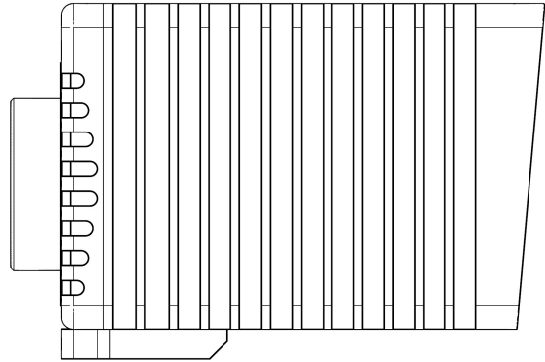
FRONT VIEW



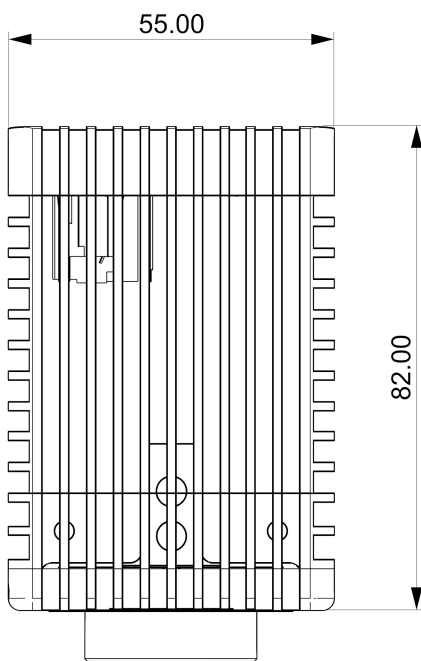
BACK VIEW



RIGHT VIEW



TOP VIEW



BOTTOM VIEW

