

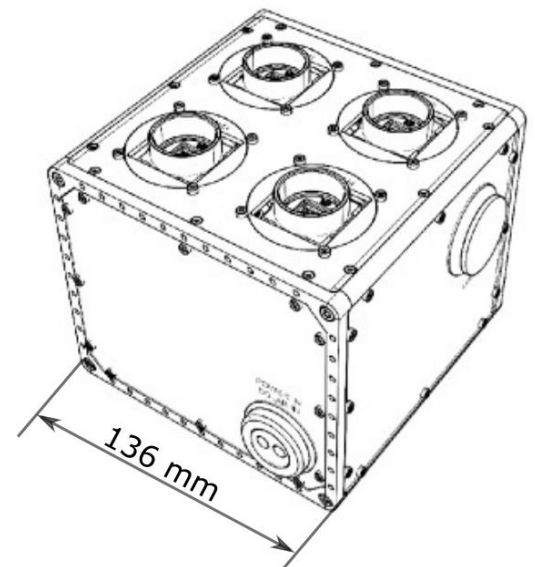
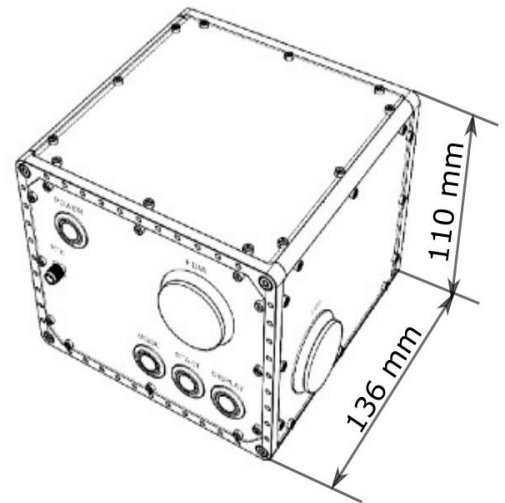


MSDC-2-4 CC is a custom multisensor drone camera system configurable with up to four cameras, each with 2, 4, 8, or 16 spectral bands, spanning from UV to thermal.

FEATURES

- Diverse Camera Array: user configurable with up to four cameras, each with 2, 4, 8, or 16 spectral bands, spanning from UV to thermal.
- Supports USB3.0 Vision, UVC and GigE cameras
- Compatible with a wide range of drones
- User-friendly design
- Sustained frame rates @ 1 FPS
- Built-in high-performance GPS @ 10 Hz with RTK
- Solar sensor UV-SWIR 19 channel spectrometer
- Accommodates C-mount lenses

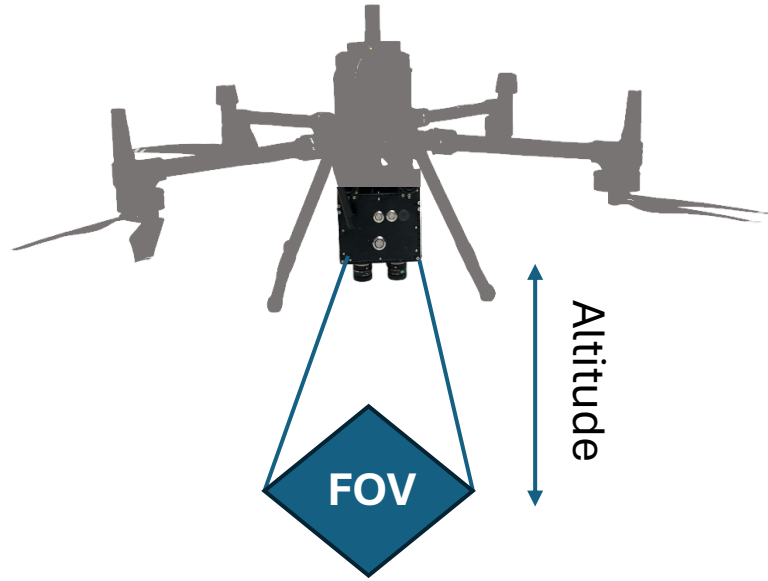
DIMENSIONS



EXAMPLE FOV AND RESOLUTION

TECHNICAL SPECIFICATIONS

Feature	Description
# of bands	User selected
Band Locations	User selected
Pixels/band	User selected
Weight	~1.7 kg with lenses ~1.38 kg without lenses
Lens compatibility	C-mount
Thermal control	Passive conduction of camera heat to enclosure
Water resistant	Yes (IP54)
Dust resistant	Yes (IP54)
External construction	Anodized aluminum with stainless-steel hardware
Power input	9-36 V
Connectors	USB 3.0, HDMI, SD card reader, Two SMA connectors for GPS and RTK antennas



50 m Altitude

Lens	Camera	GSD, [cm]	FOV, [m]
12 mm	5MP	1.4	35x29
	1.3MP	2.1	27x21
25 mm	5MP	0.7	17x14
	1.3MP	1	13x10

100 m Altitude

Lens	Camera	GSD, [cm]	FOV, [m]
12 mm	5MP	2.9	70x59
	1.3MP	4.1	53x43
25 mm	5MP	1.4	34x28
	1.3MP	2	26x20