

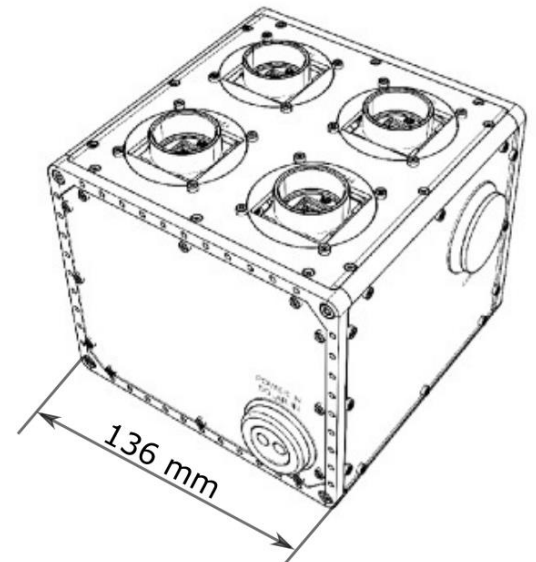
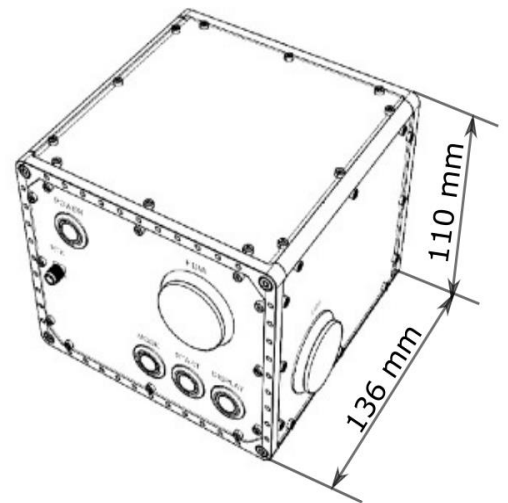


MSDC-2-4 SS is a super spectral multisensor drone camera system with 8-band NIR, 16-band SWIR, thermal and high-resolution color cameras.

FEATURES

- Diverse Camera Array: color, 8-band NIR, 16-band SWIR and thermal camera.
- Compatible with a wide range of drones
- User-friendly design
- Sustained frame rates @ 1 FPS
- Built-in high-performance GPS @ 10 Hz with RTK
- Solar sensor UV-SWIR 19 channel spectrometer
- Accommodates C-mount lenses
- Configurable
- Applications - environmental and wildlife studies, structural and infrastructure inspections, geological and hydrological studies, forestry, archeology.

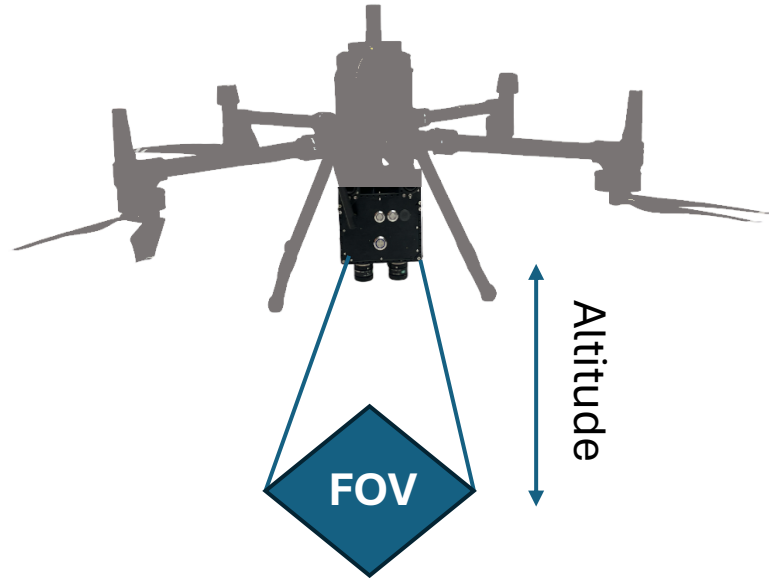
DIMENSIONS



TECHNICAL SPECIFICATIONS

Feature	Description
# of bands	28
Band Locations	Color: 445 (± 8) nm, 532 (± 12) nm, 645 (± 30) nm NIR: 720, 760, 800, 840; 860, 900, 940, (± 25) nm SWIR: 1125, 1160, 1195, 1230, 1265, 1300, 1335, 1370, 1405, 1440, 1475, 1505, 1540, 1575, 1605, 1640 ($\pm 5-25$) nm; Thermal (8-12 μm)
Pixels/band	Color: 2448x2048px; SWIR: 135x105px; NIR: 256x256px; Thermal: 1280x1024px
Weight	1.7 kg with lenses 1.38 kg without lenses
Lens compatibility	C-mount
Thermal control	Passive conduction of camera heat to enclosure
Water resistant	Yes (IP54)
Dust resistant	Yes (IP54)
External construction	Anodized aluminum with stainless-steel hardware
Power input	9-36 V
Connectors	USB 3.0, HDMI, SD card reader, Two SMA connectors for GPS and RTK antennas

EXAMPLE FOV AND RESOLUTION



100 m Altitude

Lens	Camera	GSD, [cm]	FOV, [m]
12 mm	Color	2.9	70x59
	Thermal	4.1	53x43
	NIR	3.8	94x94
	SWIR	6.6	90x70
25 mm	Color	1.4	34x28
	Thermal	2	26x20
	NIR	1.8	45x45
	SWIR	3.2	43x34

Spectral Devices Inc. •
sales@spectraldevices.com • +1-888-988-2077 • 800 Collip Circle,
 Suite 129-130, London, ON, N6G 4X8, Canada