

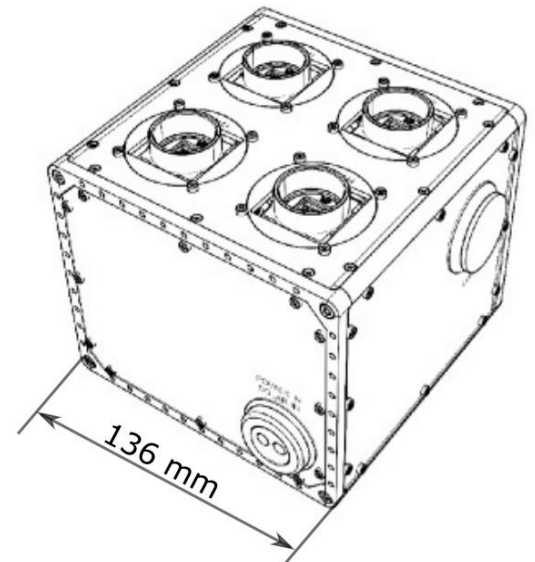
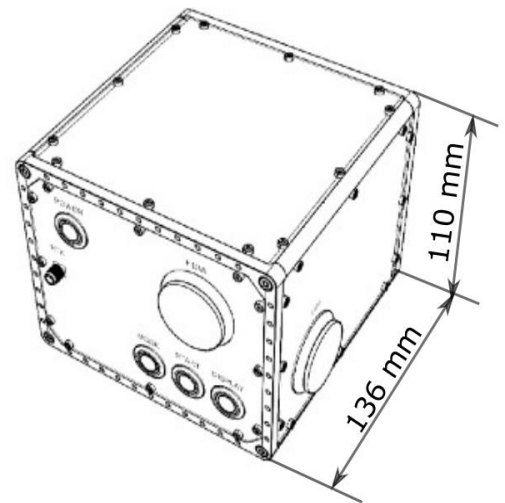


MSDC-2-4 UWB is an ultra-wide band multisensor drone camera system with NIR, SWIR, thermal and high-resolution color cameras.

FEATURES

- Diverse Camera Array: 5 MP NIR, and color camera, 1.3 MP SWIR and thermal camera
- Compatible with a wide range of drones
- User-friendly design
- Sustained frame rates @ 1 FPS
- Built-in high-performance GPS @ 10 Hz with RTK
- Solar sensor UV-SWIR 19 channel spectrometer
- Accommodates C-mount lenses
- Configurable
- Applications - environmental and wildlife studies, structural and infrastructure inspections, geological and hydrological studies, forestry, archeology.

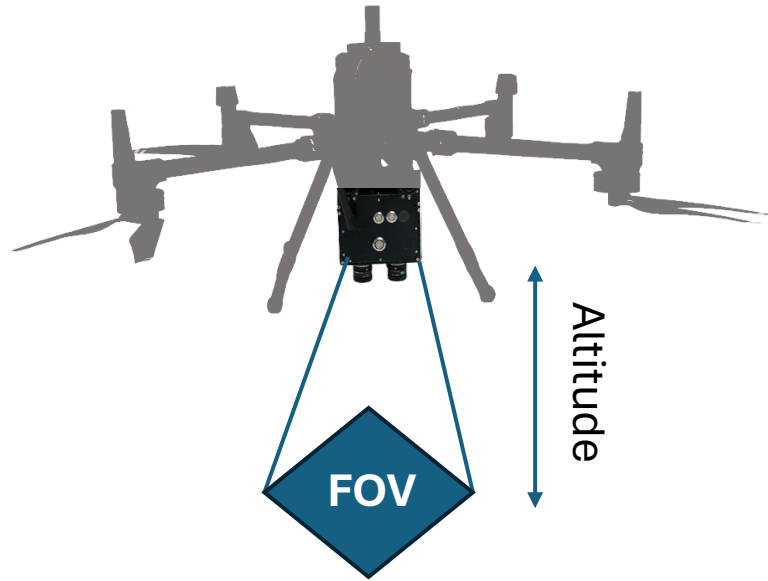
DIMENSIONS



TECHNICAL SPECIFICATIONS

Feature	Description
# of bands	6
Band Locations	445 (± 8) nm, 532 (± 12) nm, 645 (± 30) nm, 800 (± 25) nm, 1500 (± 25) nm, Thermal
Pixels/band	NIR, Color: 2448x2048px SWIR, Thermal: 1280x1024px
Weight	1.7 kg with lenses 1.38 kg without lenses
Lens compatibility	C-mount
Thermal control	Passive conduction of camera heat to enclosure
Water resistant	Yes (IP54)
Dust resistant	Yes (IP54)
External construction	Anodized aluminum with stainless-steel hardware
Power input	9-36 V
Connectors	USB 3.0, HDMI, SD card reader, Two SMA connectors for GPS and RTK antennas

EXAMPLE FOV AND RESOLUTION



50 m Altitude

Lens	Camera	GSD, [cm]	FOV, [m]
12 mm	5MP	1.4	35x29
	1.3MP	2.1	27x21
25 mm	5MP	0.7	17x14
	1.3MP	1	13x10

100 m Altitude

Lens	Camera	GSD, [cm]	FOV, [m]
12 mm	5MP	2.9	70x59
	1.3MP	4.1	53x43
25 mm	5MP	1.4	34x28
	1.3MP	2	26x20