

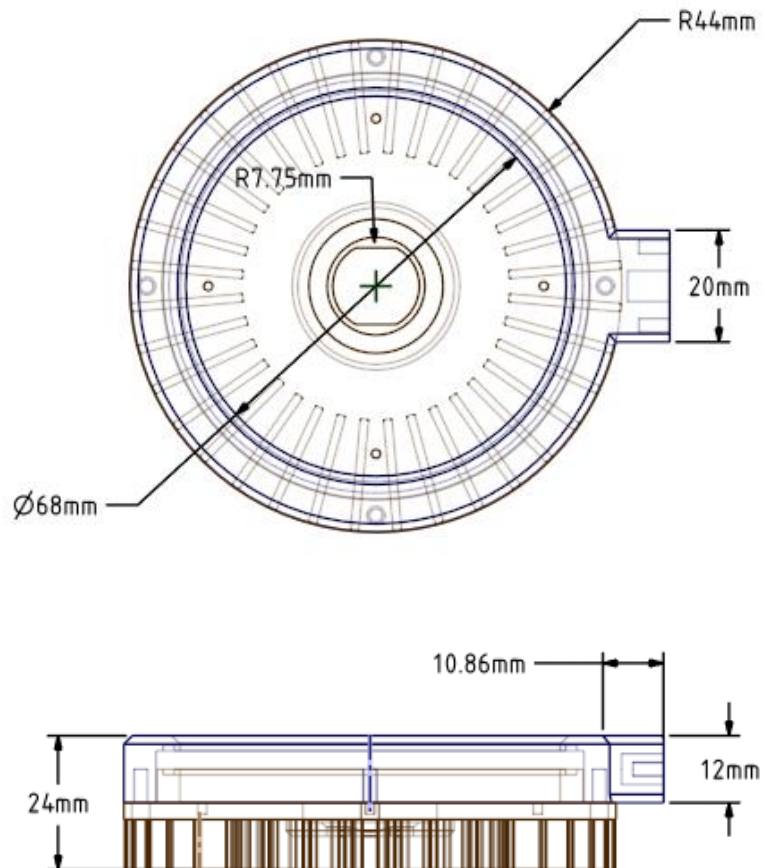


The MSLED-CUS-2-4 consists of two LED modules each equipped with four independent LED channels. The LED modules can be customized with a wide variety of color bands. The dual LED illuminator creates a uniform diffuse lighting for a variety of multispectral imaging applications.

## FEATURES

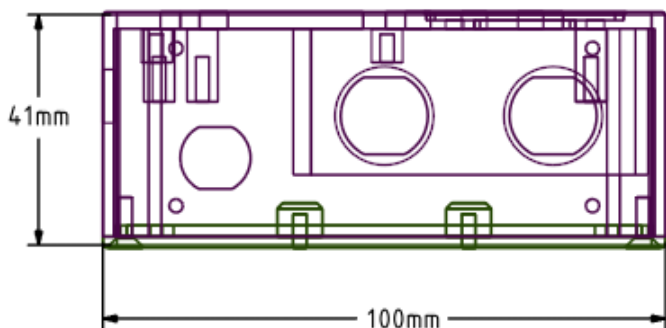
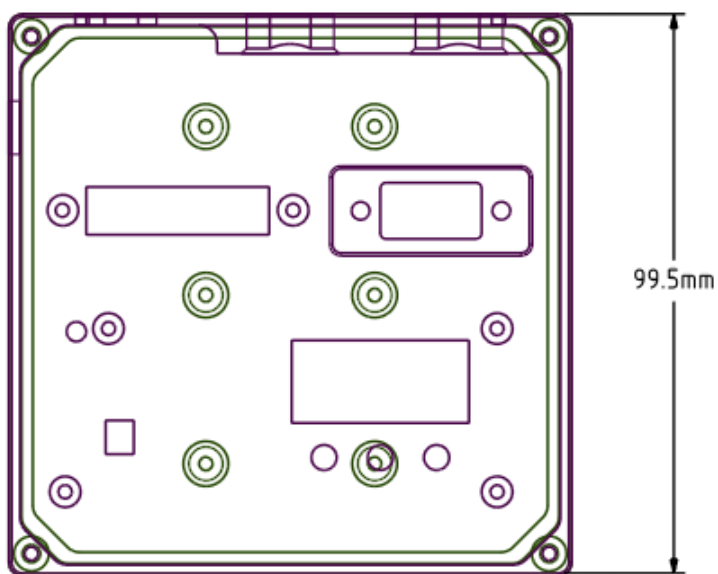
- Uniform diffuse illumination
- Manual or remote (RS232) management of LED brightness
- External trigger connector
- 256 levels of brightness adjustment
- Digital display
- 4 bands – 470, 520, 620, 850 nm
- Compact design
- ¼-20” mounting holes for LED modules
- High stability, reliability and environmental adaptability

## DIMENSIONS – LED MODULE



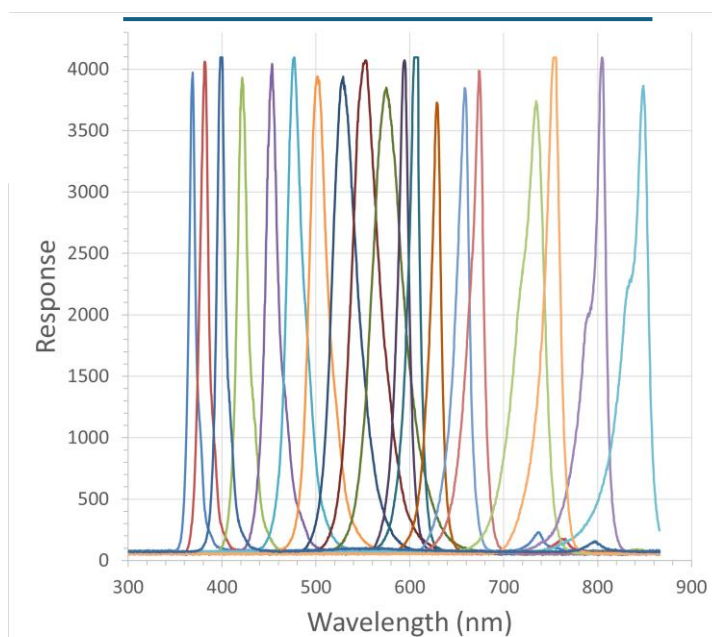
# SPECTRAL BAND OPTIONS

## DIMENSIONS - CONTROLER



Band name	Wavelength, nm
<b>UV</b>	365-370
	380-385
	400-405
	420-425
<b>Blue</b>	450-455
	470-475
<b>Cyan</b>	490-500
<b>Green</b>	520-525
	540
<b>Green-yellow</b>	570
<b>Yellow</b>	590-600
<b>Orange</b>	600-605
<b>Red</b>	620-625
<b>Deep red</b>	660
<b>IR</b>	680-690
	710
	730
	760-770
	810
	850
	900
	940
	970-980
	<b>Full spectrum</b>

## SPECTRAL RESPONSE



## TECHNICAL SPECIFICATIONS

Feature	Description
# of bands	4
Band Locations	Custom (see spectral band option list)
Input	100 – 240 V AC, 50/60 Hz, 1.4 A (AC/DC power adaptor included in the package)
Output Adjustment Method	Pulse Wave Modulation (PWM)
Trigger Mode	Positive/Negative
Trigger Input Voltage	5 – 24 V
Connector	LED output (x2), RS232, External Trigger (4 independent channels), Barrel connector for DC power
Construction	Aluminum with anodized black finish, acrylic window
Operating Temperature	0 – 40 °C
Storage Temperature	10 – 50 °C
Total Output Power	< 40W

Spectral Devices Inc. • [sales@spectraldevices.com](mailto:sales@spectraldevices.com) • +1-888-988-2077 • 800 Collip Circle, Suite 129-130, London, ON, N6G 4X8, Canada