



MSMC imaging systems enables multispectral imaging over an extended spectral range with a greater number of bands. Each system incorporates two cameras into a single housing. An internal beam splitter enables each camera to observe the same scene with minimal parallax.

FEATURES

Camera 1	Camera 2
2048x2048 color	256x256 px per band
440, 520, 600 nm	720, 760, 800, 840, 860, 900, 940, 980 nm

- Captures co-registered spectral images simultaneously from 2 cameras
- High resolution and wider spectral range
- Custom spectral filters available
- Sustained frame rates @ 45 FPS
- Global Shutter CMOS sensor

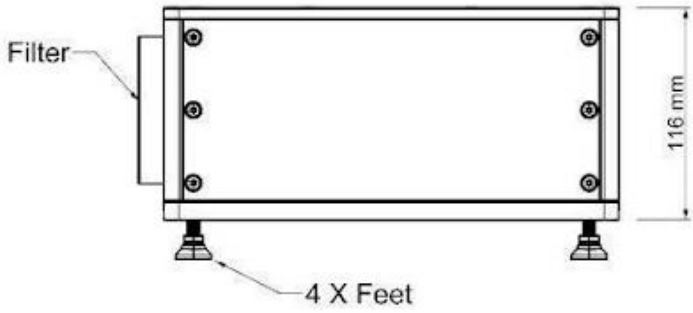
INTERIOR



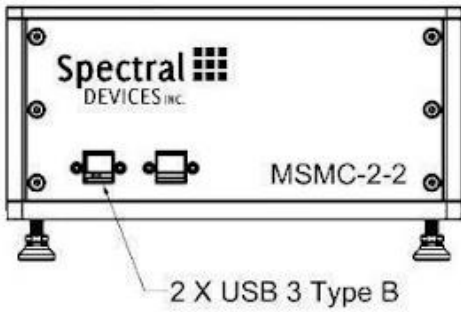
- 1 - Camera 1
- 2 - Camera 2
- 3 - Adjustable 3 DOF stages
- 4 - Beam splitter

DIMENSIONS

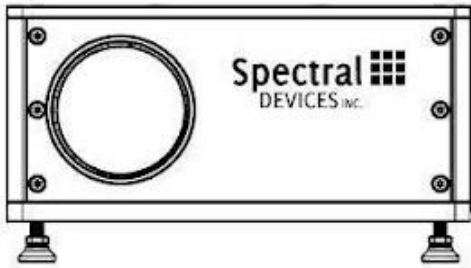
FRONT VIEW



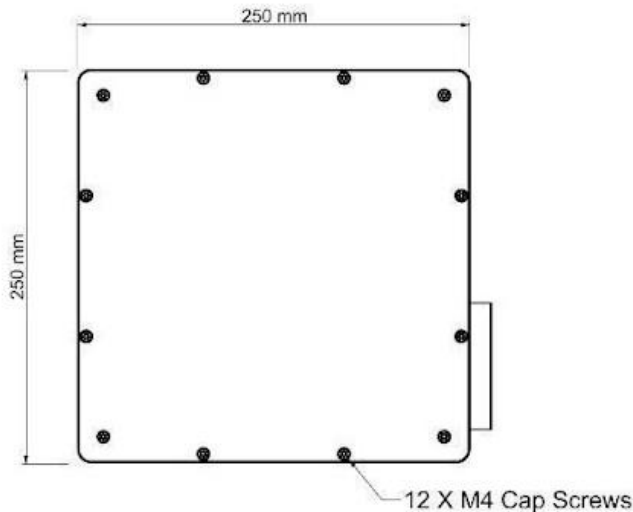
LEFT VIEW



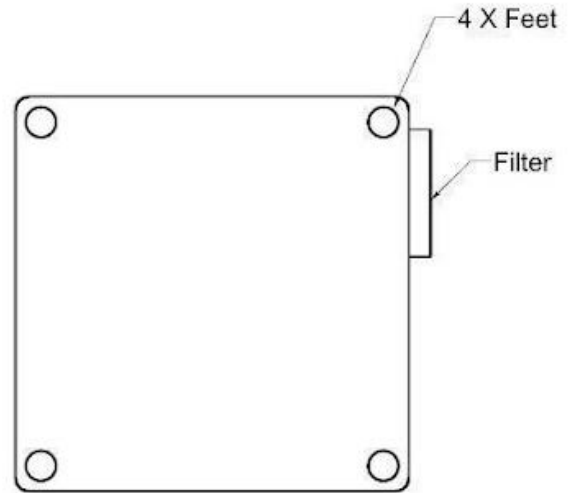
RIGHT VIEW



TOP VIEW

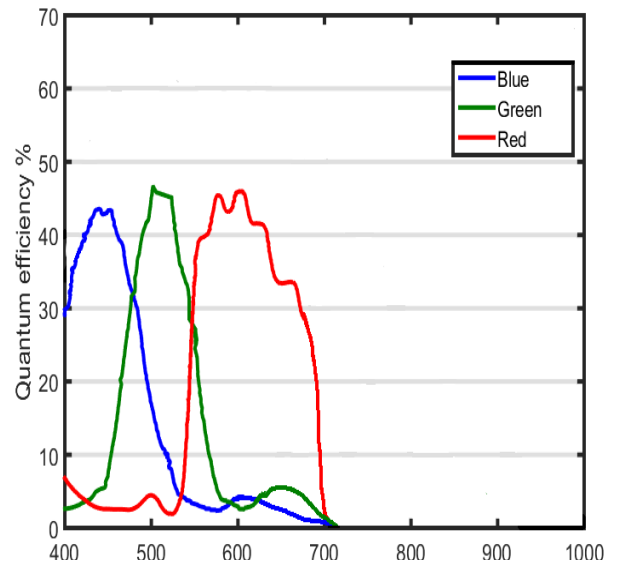


BOTTOM VIEW



QUANTUM EFFICIENCY

Camera 1



Camera 2

